

Diffuse-reflective sensors, laser, range 30 cm, M18 housing



- Range adjustable
- 5000 Hz switching frequency for fast and precise switching
- Convergent laser beam, focus at approx. 10 cm
- Laser class 1
- Short-circuit protection, reverse polarity protection and power-up output suppression
- Connections: Cable, 2 meter
Connector, M12
- EMC tested according to EN 61000-6-1/2/3/4



Product designation Plastic housing ¹⁾

Product designation Stainless steel ¹⁾

Output

Connection

Range adjustment

Optical data ²⁾

Max. Range

Emitter

Electrical data ²⁾

Supply voltage U_s

Allowable ripple

Current consumption (without load)

Max. load current I_L

Residual voltage

Max. switching frequency

Environmental data

Sealing

Laser class

Temperature T_A
(operating and storage)

Weight Plastic/Stainless steel

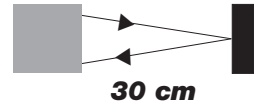
| M1LT 1NA 100 R1 | M1LT 1NA 400 R1 | M1LT 1PA 100 R1 | M1LT 1PA 400 R1 |
|--|---------------------|----------------------|---------------------|
| M1LT 1NA 100 R1M | M1LT 1NA 400 R1M | M1LT 1PA 100 R1M | M1LT 1PA 400 R1M |
| NPN (light-/dark-on) | | PNP (light-/dark-on) | |
| Cable 2 m | Connector M12 | Cable 2 m | Connector M12 |
| Yes | | | |
| 30 cm (Kodak card white, 10 x 10 cm) | | | |
| Laser, red, 650 nm, pulsed | | | |
| 10...30 VDC | | | |
| +/- 10% von U_s | | | |
| < 20 mA | | | |
| 100 mA | | | |
| < 1,6 V | | | |
| 5000 Hz | | | |
| IP 67 | | | |
| 1 (IEC 825-1; EN 60825-1:2001) | | | |
| -25...+60 °C | | | |
| Connector M12: ca.15/25 g , Cable 2 m: ca. 100/110 g | | | |

1) For product designation of sensors with options see designation code.

2) When not otherwise noted, all technical data at $T_A = 25\text{ °C}$, $U_s = 24\text{ V}$.

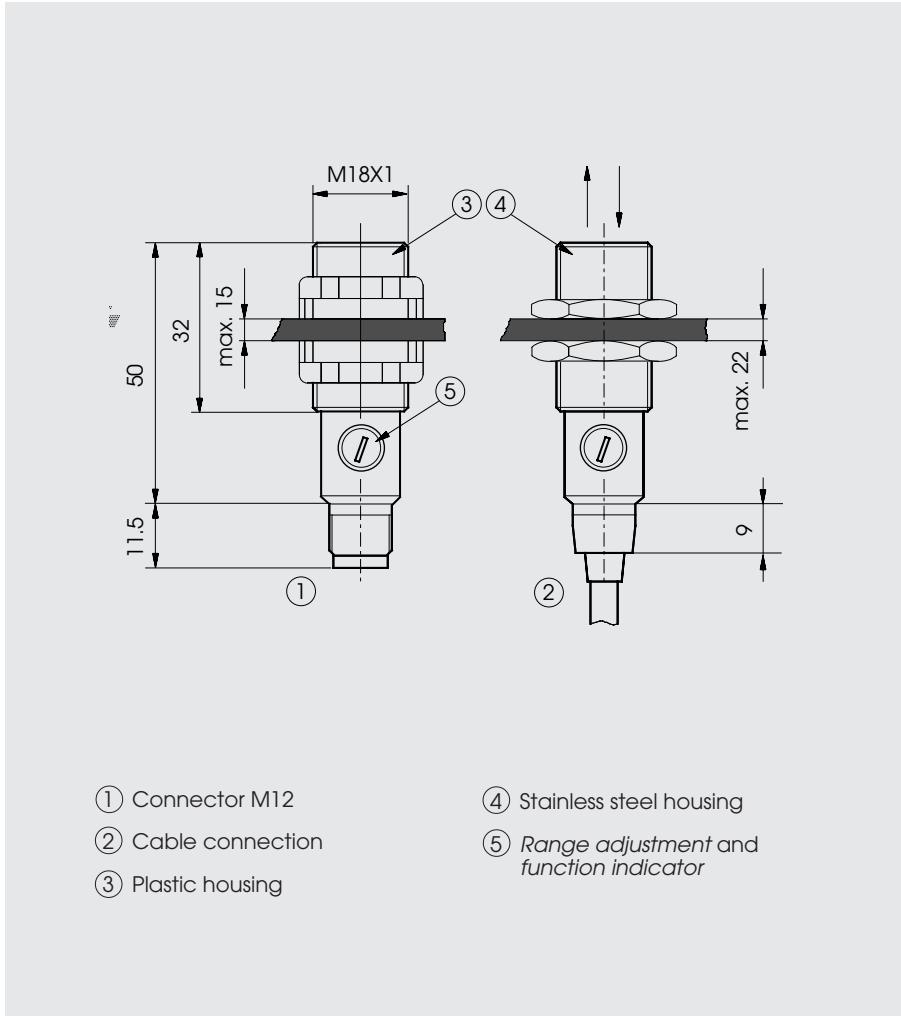
10...30 VDC

NPN / PNP
light-on and
dark-on output

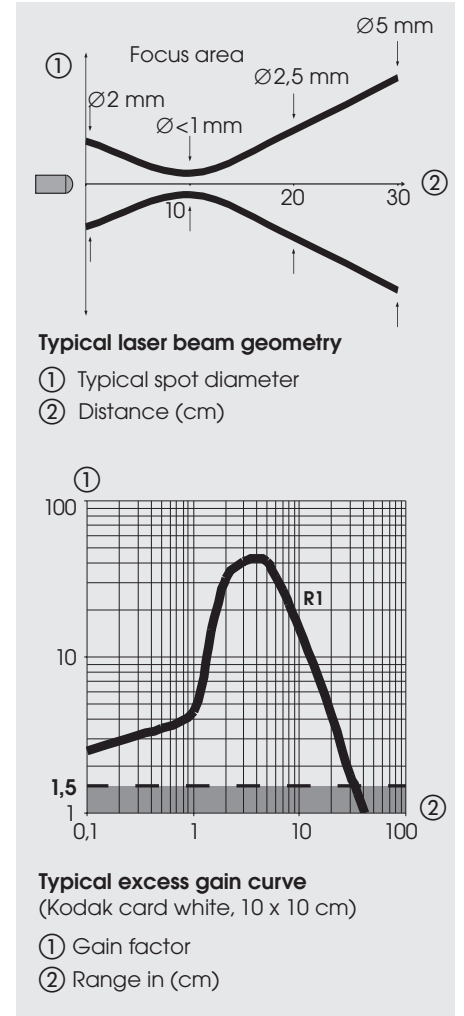


M1LT

Dimensions (50 mm, M18 x 1)



Optical diagrams



Wiring diagram

