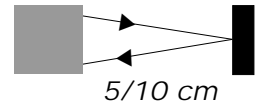


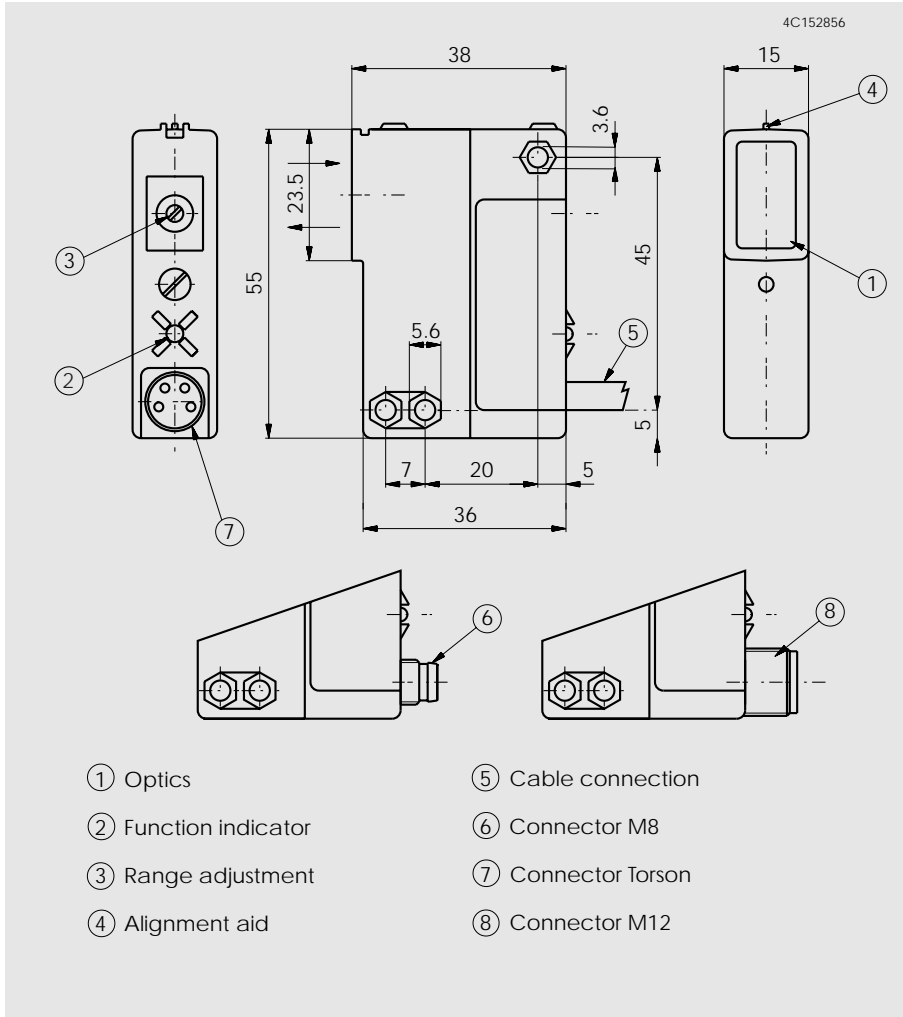
10...30 VDC

NPN / PNP
light-on and
dark-on output

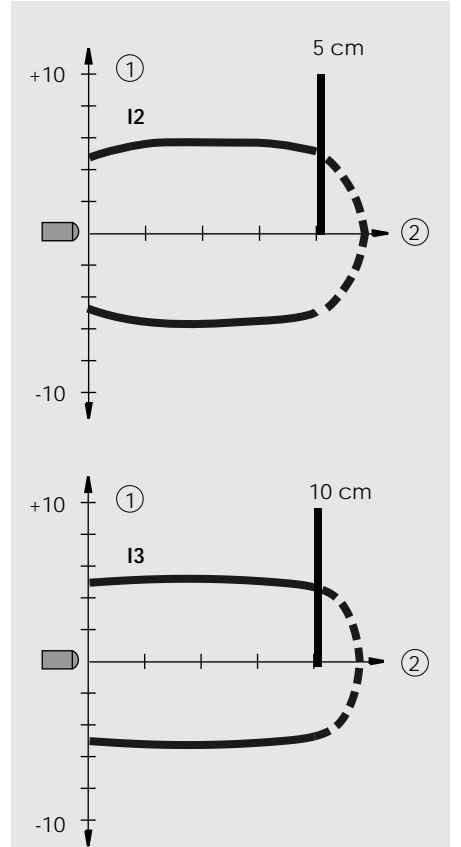


OPT

Dimensions (55 mm x 38 mm x 15 mm)

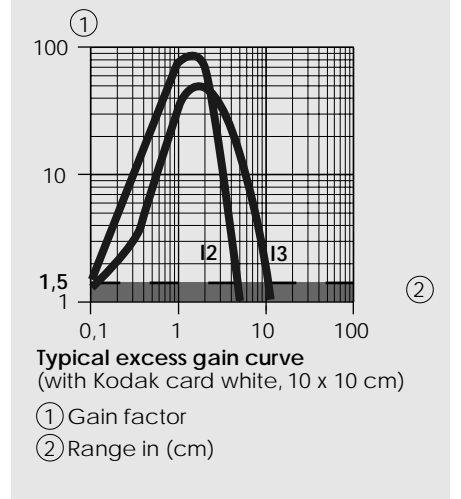
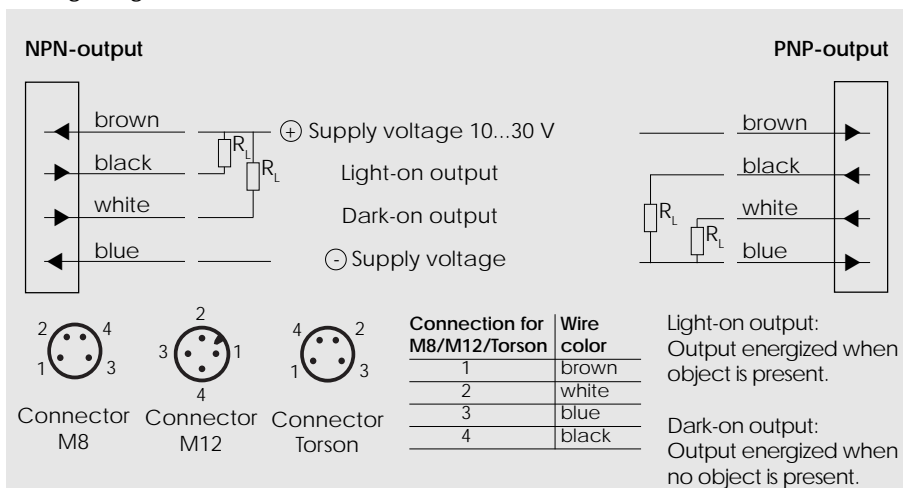


Optical diagrams



Typical beam diameter
(with Kodak card white, 10 x 10 cm)
① Diameter in (cm)
② Range in (cm)

Wiring diagram



Diffuse-reflective sensors, range 20/40/65 cm, in a small plastic housing



- Light reserve warning indicator
- Dual transistor outputs, NPN or PNP
- 1000 Hz switching frequency
- Short-circuit protection, reverse polarity protection and power-up output suppression
- Connections: Cable, 2 meter
Connector, M12
Connector, M8 (option)
Connector, Torson (option)
- EMC tested according to IEC 801 and EN 50081-1/EN 50082-2



Product designation ¹⁾ 20 cm Sensor

Product designation ¹⁾ 40 cm Sensor

Product designation ¹⁾ 65 cm Sensor

Output

Connection

Range adjustment

Optical data ²⁾

Max. range

Emitter

Electrical data ²⁾

Supply voltage U_s

Allowable ripple

Current consumption (without load)

Max. load current I_L

Residual voltage

Max. switching frequency

Environmental data

Sealing

Temperature T_A
(operating and storage)

Weight

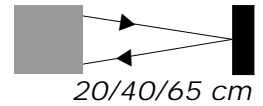
OPT 1NA 100 I4	OPT 1NA 400 I4	OPT 1PA 100 I4	OPT 1PA 400 I4
OPT 1NA 100 I1	OPT 1NA 400 I1	OPT 1PA 100 I1	OPT 1PA 400 I1
OPT 1NA 100 I5	OPT 1NA 400 I5	OPT 1PA 100 I5	OPT 1PA 400 I5
NPN (light- and dark-on)		PNP (light- and dark-on)	
Cable 2 m	Connector M12	Cable 2 m	Connector M12
Yes			
I4: 20 cm / I1: 40 cm / I5: 65 cm (Kodak card withe, 10 x 10 cm)			
Infrared-LED, 880 nm, pulsed			
10...30 VDC			
+/- 10% of U_{Sp}			
< 15 mA			
200 mA			
< 1,6 V			
1000 Hz			
IP 65			
-25...+65 °C			
ca. 100 g	ca. 35 g	ca. 100 g	ca. 35 g

1) For product designation of sensors with options see designation code on page 81.

2) When not otherwise noted, all technical data at $T_A = 25\text{ °C}$ and $U_s = 24\text{ V}$.

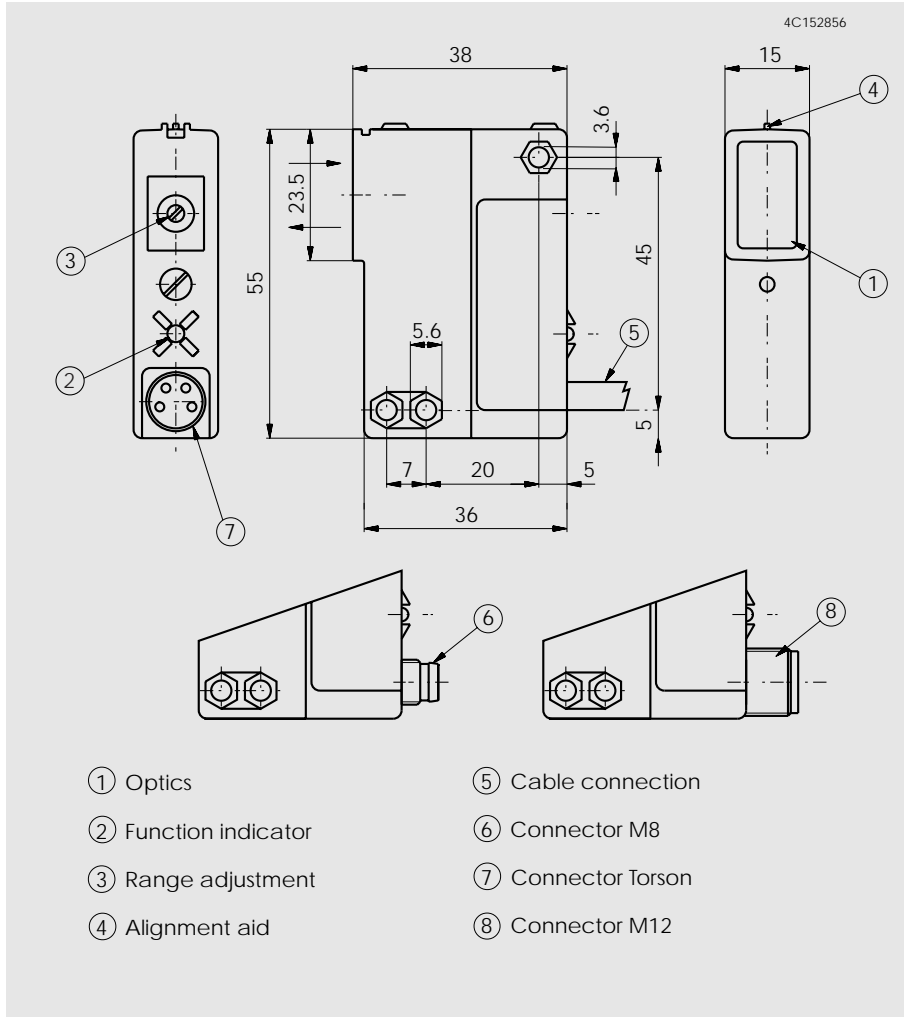
10...30 VDC

NPN / PNP
light-on and
dark-on output

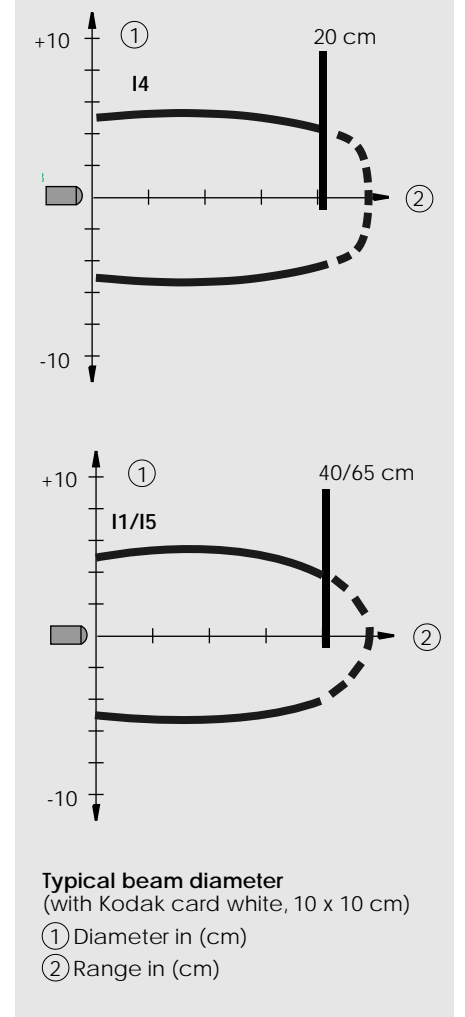


OPT

Dimensions (55 mm x 38 mm x 15 mm)



Optical diagrams



Wiring diagram

