

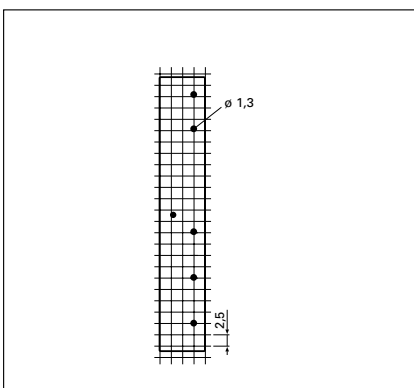
## SGR 3x4 – PCB mounting socket

Type of socket	ZGW 001
Fits to relay	SGR 364, 344, 324
Pin layout	(1,25 mm)

General data	
Nominal data	250 VAC 6 A
Test voltage (coil - contact)	4.000 V <sub>eff</sub>
Contact springs material	CuSn6 plated
Mounting	solder pin
Creeping resistance	> CTI 125
Weight	approx. 1 g
Mounting position	standing
Ambient temperature	-25°C - +50°C
No. of pins	ZGW 001 5pin
Protection category	IP 20

### Drilling pattern (mm)

View from solder side



### Dimensions drawing (mm)

